

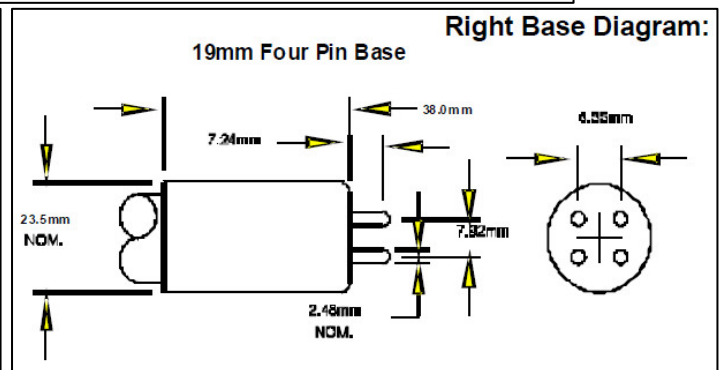
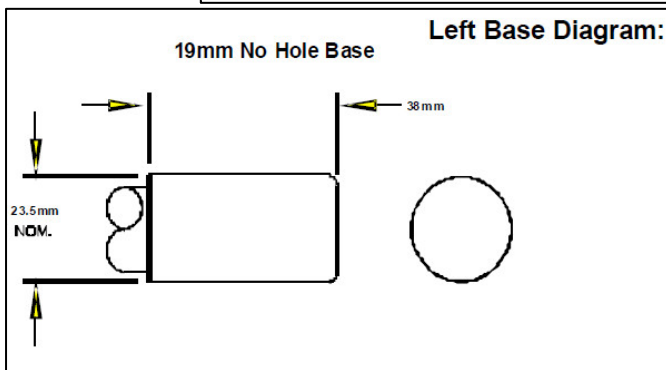
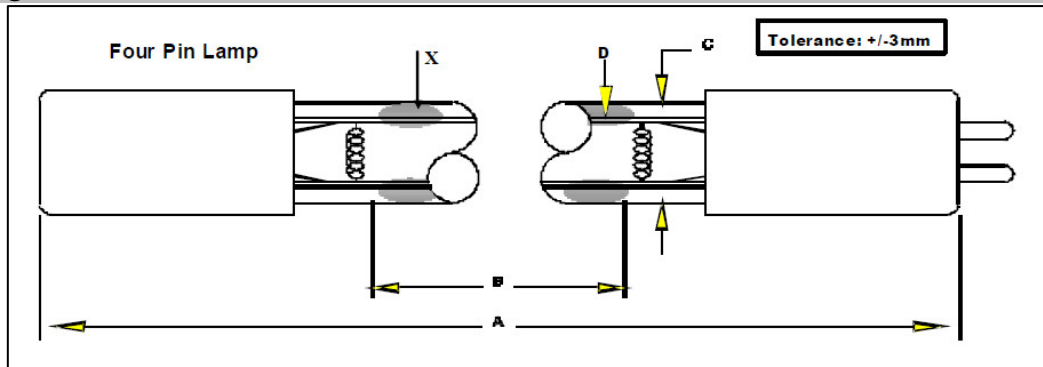
GPFA843T6L/4 127W AUVL

127W UVC Lamp

Replacement for Philips 130W XPT

Article Number: 16000577

1. Lamp Diagram



2. Lamp Characteristics

(A) Base Face:	843 mm
(B) ARC:	767 mm
(C) Bulb Diameter:	19 mm
Glass Type:	L (Non-Ozone)

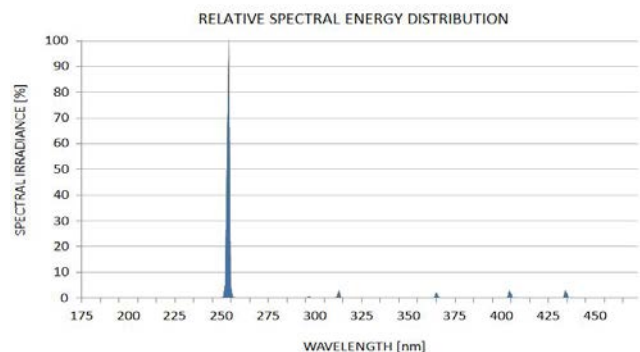
Coating: A11-QC-001

Operating current*	1.8 A
Lamp voltage*	71 V
Lamp wattage*	127 W

3. UV Output

UV Output measured at 254nm	43 W
Irradiance at 1m distance	400 $\mu\text{W}/\text{cm}^2$
Rated Life (hrs)**	12,000 hours
% Output @EOL	80.00 %

Ballast Used for Measurements 03-EB-237



* UV Output is based on lamps measured after 100 hours of operation under lab conditions. These values are subject to wide variations under application/field conditions.

** Rated Life is for reference purposes only and is based on a group of lamps operating under lab conditions. Actual life depends on the operating conditions of the lamp.